

Sink Master

Bowl on the right

Kitchen Sinks

Code: 1251 051



DETAILS

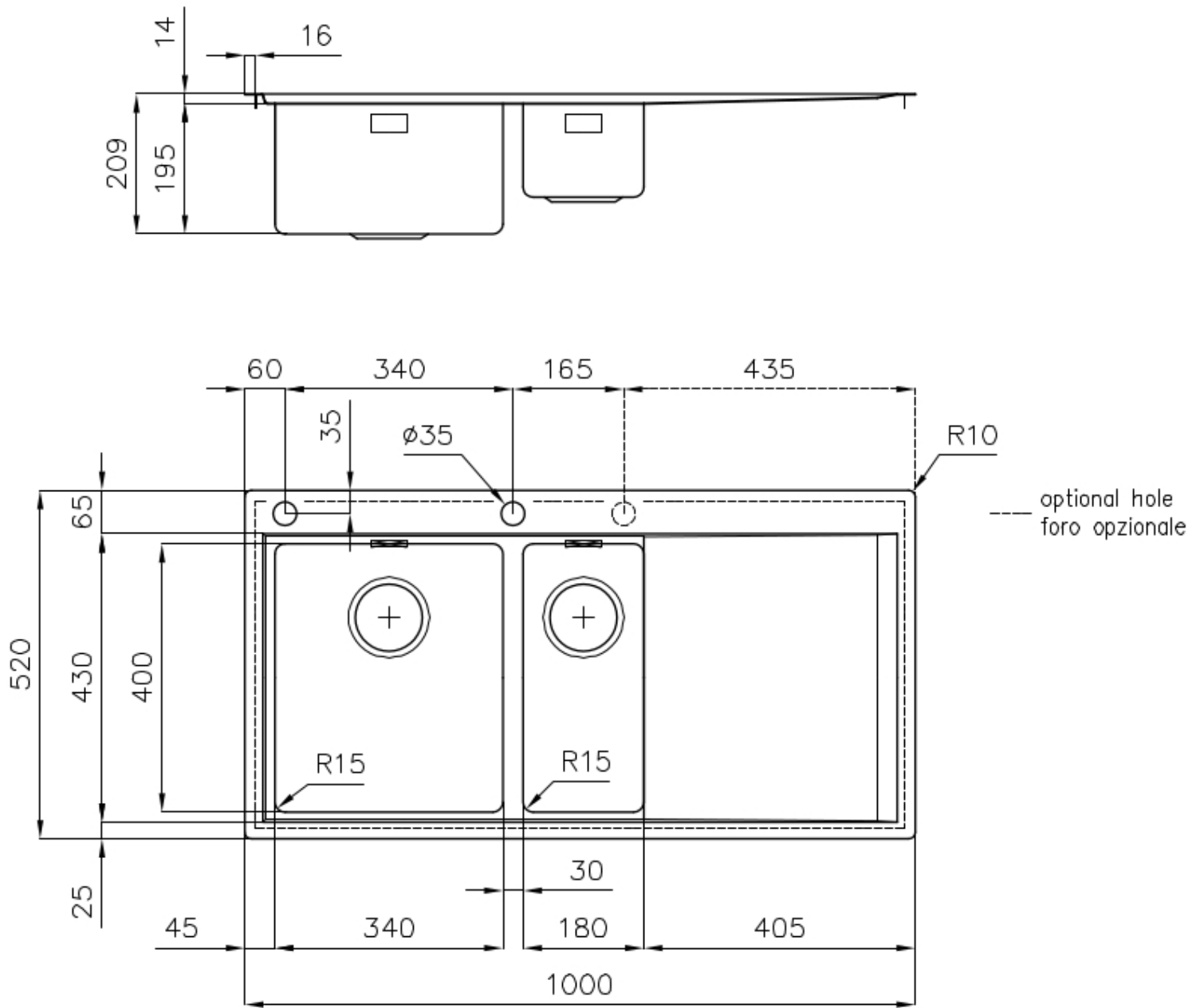
| | |
|------------------------|---|
| Edge/Installation Type | Flush-mount Top-mount |
| Finish | Foster brushed |
| Material | AISI 304 stainless steel |
| Texture | Foster brushed |
| Base | 60 cm |
| Dimensions | 1000x520 mm |
| Standard fittings | Fixing hooks, gasket, drain, overflow and siphon, boxed packing |
| Mixer holes | 2 standard holes |
| Built-in hole | View technical data sheet |

| | |
|-----------------|---------------------------------|
| Drainer | Yes |
| Width | 100 cm |
| Bowl dimension | 340x400 + 180x400mm |
| Number of bowls | 2 bowls |
| Waste fitting | Drain with automatic PM control |

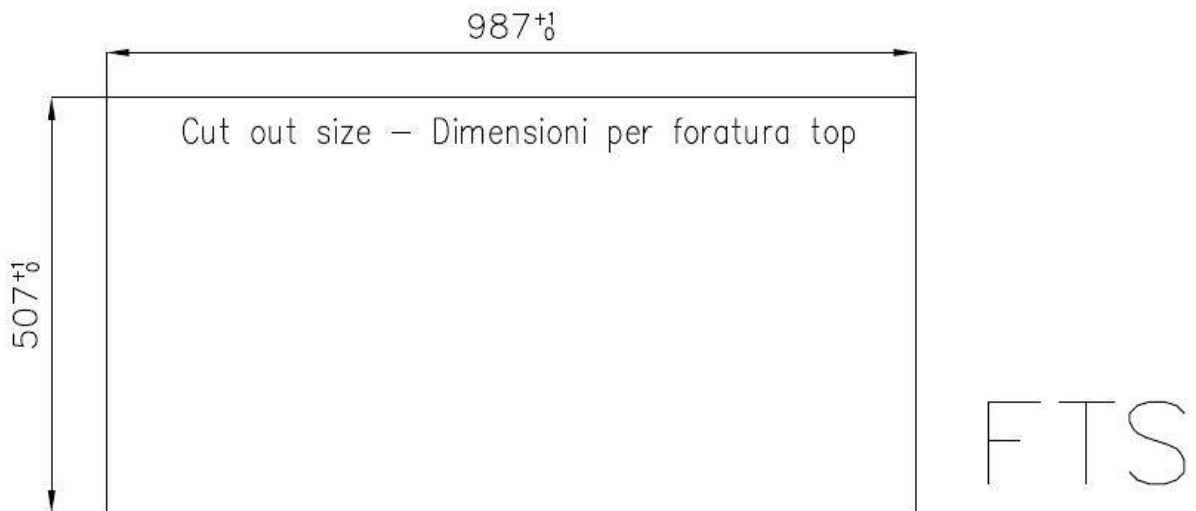
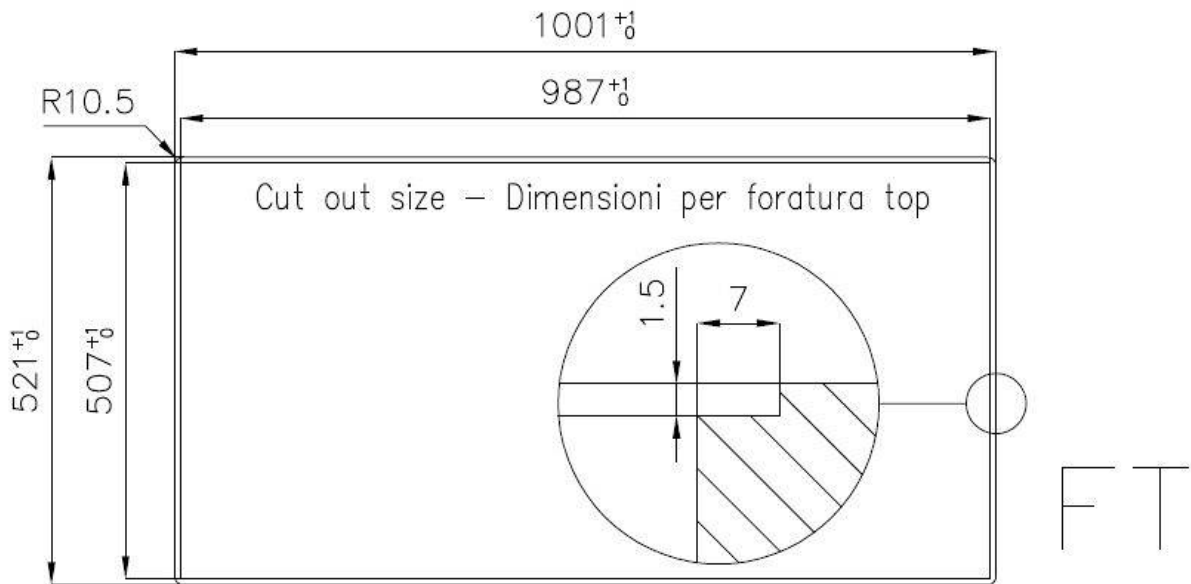
FEATURES

| | |
|---------------------------|---|
| Automatic waste fitting | The waste-fitting with round remote knob is supplied; a practical accessory which makes it unnecessary to get wet in order to drain the water from the bowl. |
| Basket 3,5" waste fitting | The drain is equipped with a large 3.5" drain, with the practical basket cap that prevents the discharge of solid parts. |
| Deep bowls | This bowls reach an important depth, over 20 cm, thanks to the advanced production technology, that can be offer great capiciency and practicity in all the washing operations. |
| Double mixer hole | The large tap counter is already fitted with a series of 2 tap holes. In the second hole it is possible to install the remote control of the automatic drain or, alternatively, a practical soap dispenser. |
| High thickness | 1mm thick steel. A significant thickness, which guarantees the maximum sturdiness and durability. |
| Perimetral overflow | The overflow is always a security on the Foster sinks that prevents the overflow of water in case of oversights. The perimeter drain solution improves aesthetics thanks to its square and essential shape. |
| Small radius | Bowls with squared shapes with a modern design and an increased capacity, for a minimal aesthetics connected with an extreme practicity. |

TECHNICAL DATA



Lavello serie Master cod. 1251/05*



EQUIPMENT



Automatic waste fitting - PM

8407 113

OPTIONAL ACCESSORIES



Glass chopping board
8631 300



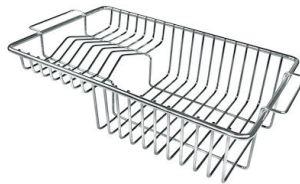
HDPE Chopping board
8657 001



HPDE Twin chopping board
8644 101



Stainless steel plate rack
8100 303



Stainless steel plate rack
8100 201



White bowl
8153 100

* only in combination with the accessory
8644 101



**Graters kit with ring-holder and
food collection tray**
8159 101

* only in combination with the accessory
8644 101



**Iroko-wood sliding chopping board
with stainless steel colander**
8644 044



Stainless steel perforated tray
8151 000
* only in combination with the accessory
8644 101

RECOMMENDED PAIRINGS



Mixer Tap Play

8487 000